



MR-MURANO Radius Series Fire Extinguisher Cabinets (Non-Rated & Fire Rated)

Detail & Submittal Sheet

Construction Specifications:

MURANO (MR) Cabinet is 16 gauge cold rolled steel with 22 gauge cold rolled steel tubs. Fronts are baked white enamel. All cabinets come standard with chrome D handles and clear acrylic glazing.

To comply with ADA Guidelines, Extinguishers and Cabinets offer handles, brackets and turnbacks according to instructions provided by installer. For ADA compliance follow the specification ordering process dimensions in our catalog. Proper installation in accordance with the ADA Guidelines is the sole responsibility of the installer. For more information please visit the Accessibility Guidelines for Buildings and Facilities website or call them at 1-800-872-2253.

Project: _____
 Specification Reference: _____
 Model Number: _____ Quantity: _____
 Architect: _____
 Contractor: _____
 Distributor: _____
 Approved By: _____
 Date: _____

SPECIFICATION PROCESS: Follow the steps below to specify your cabinet. Options at additional cost.

- STEP 1: EXTINGUISHER SIZE:**
 5 - 5 lb. 1 - 10 lb. 2 - 20 lb.
- STEP 2: CABINET STYLE:**
 0 - Surface Mounted (S)
 1 - Semi-Recessed (SR)
 2 - Fully-Recessed (FR)
- STEP 3: DOOR STYLE:**
 6 - Full Glass (FG)
 7 - Full Metal (FM)
 8 - Vertical Duo (VD)
- STEP 4: SERIES:**
 MR - Murano Radius
- STEP 5: CABINET TYPE:**
 Non-Fire Rated (standard)
 SG - SAFEGUARD - Fire Rated
- STEP 6: FINISH OPTIONS:**
 FSS - Full Stainless Steel, #4 finish: 304 (standard) 316**

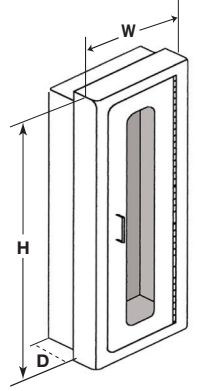
- STEP 7: HANDLE/ACCESSORY OPTIONS:**
 WH - Baked White Enamel
 RD - Baked Red Enamel
 BK - Baked Black Enamel
- 007 - Chrome "D" Handle (Standard)
 008 - Chrome "D" Handle w/Safety Break Glass
 010 - Aluminum Die Cast Red "Fire" Handle
 012 - ADA "Recessed" Handle
- STEP 8: GLAZING:**
 G11 - Clear Acrylic (Standard)
 G12 - Clear Tempered Glass
- STEP 9: LETTERING:**
 004 - Decal "Fire Ext." Vertical R/B

Options



BuyOnline

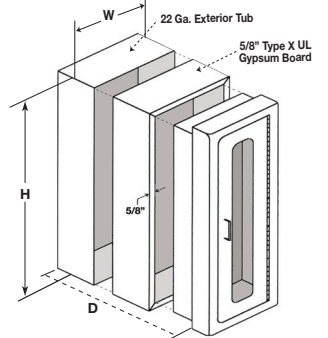
How to Measure a Cabinet



** 316 SS contains 2%-3% molybdenum, added to improve corrosion resistance to chlorides (like sea water).
 304 SS has no molybdenum

✓	Mod. #	Interior Tub Size			Overall Outside Trim		Rough Opening			Turnback	Accom. Ext Size Lbs.	
		W	H	D	W	H	W	H	D			
Semi-Recessed												
	116-MR	9 1/2"	24"	6"	13 1/2"	28 1/2"	9 3/4"	24 1/4"	3 1/2"	2 1/2"	10	✓
	117-MR	9 1/2"	24"	6"	13 1/2"	28 1/2"	9 3/4"	24 1/4"	3 1/2"	2 1/2"	10	✓
	118-MR	9 1/2"	24"	6"	13 1/2"	28 1/2"	9 3/4"	24 1/4"	3 1/2"	2 1/2"	10	✓
	216-MR	12"	27"	8"	16"	31"	12 1/4"	27 1/4"	5"	3"	20	✓
	217-MR	12"	27"	8"	16"	31"	12 1/4"	27 1/4"	5"	3"	20	✓
	218-MR	12"	27"	8"	16"	31"	12 1/4"	27 1/4"	5"	3"	20	✓

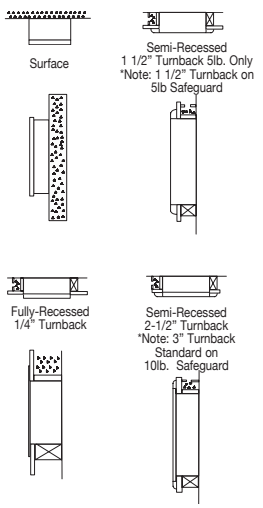
Safeguard fire rated assembly



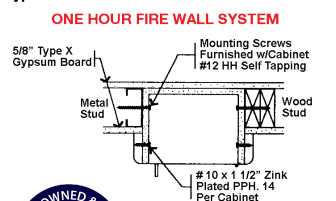
✓	Mod. #	Interior Tub Size			Overall Outside Trim		SAFEGUARD Rough Opening			SAFEGUARD Turnback	Accom. Ext Size Lbs.	
		W	H	D	W	H	W	H	D			
Semi-Recessed												
	116-MR-SG	9 1/2"	24"	6"	13 1/2"	28 1/2"	11 1/4"	25 3/4"	4 1/2"	3"	10	✓
	117-MR-SG	9 1/2"	24"	6"	13 1/2"	28 1/2"	11 1/4"	25 3/4"	4 1/2"	3"	10	✓
	118-MR-SG	9 1/2"	24"	6"	13 1/2"	28 1/2"	11 1/4"	25 3/4"	4 1/2"	3"	10	✓
	216-MR-SG	12"	27"	8"	16"	31"	14"	29"	5"	4"	20	*
	217-MR-SG	12"	27"	8"	16"	31"	14"	29"	5"	4"	20	*
	218-MR-SG	12"	27"	8"	16"	31"	14"	29"	5"	4"	20	*

*ADA Recessed Handle required ✓ADA Compliant

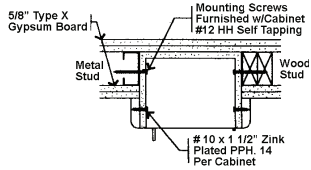
Installation Options



SAFEGUARD Typical Semi-Recessed Fire Rated Installation



TWO HOUR FIRE WALL SYSTEM



UL Classified 5/8" Type X gypsum board inserted in the cavity between the two layers. Warnock Hersey has approved the Safeguard Cabinets to be mounted in any face of fire rated walls without affecting its fire rating. The above meets the requirement test ASTM-E119-98 with test report WHI-495-1534. MOUNTING INSTRUCTIONS are supplied with each Safeguard cabinet.

