



TN-TITAN Aluminum Series Fire Extinguisher Cabinets (Fire Rated)

Detail & Submittal Sheet

Construction Specifications:

Titan Series Aluminum cabinets are constructed of non-extruded .063 thick aluminum with grey finish powder coat. All fire-rated cabinets come standard with steel tubs, chrome steel handles and clear acrylic glazing.

To comply with ADA Guidelines, Extinguishers and Cabinets offer handles, brackets and turnbacks according to instructions provided by installer. For ADA compliance follow the specification ordering process dimensions in our catalog. Proper installation in accordance with the ADA Guidelines is the sole responsibility of the installer. For more information please visit the Accessibility Guidelines for Buildings and Facilities website or call them at 1-800-872-2253.



Project: _____
 Specification Reference: _____
 Model Number: _____ Quantity: _____
 Architect: _____
 Contractor: _____
 Distributor: _____
 Approved By: _____
 Date: _____

SPECIFICATION PROCESS: Follow the steps below to specify your cabinet. Options at additional cost.

STEP 1: EXTINGUISHER SIZE:
 5 - 5 lb. 1 - 10 lb. 2 - 20 lb.

STEP 2: CABINET STYLE:
 0 - Surface Mounted (S)
 1 - Semi-Recessed (SR)
 2 - Fully-Recessed (FR)

STEP 3: DOOR STYLE:
 6 - Full Glass (FG)
 7 - Full Metal (FM)
 8 - Vertical Duo (VD)

STEP 4: SERIES:
 TN - Aluminum Cabinet

STEP 5: CABINET TYPE:
SG - SAFEGUARD
 Fire Rated w/Steel Tub

STEP 6: FINISH (Standard):
 AL - Aluminum Front
 w/Steel Tub

STEP 7: HANDLE/ACCESSORY OPTIONS:

- 007 - Chrome "D" Handle (Standard)
- 008 - Chrome "D" Handle w/ Safety Break Glass
- 010 - Aluminum Die Cast Red "Fire" Handle
- 012 - ADA "Recessed" Handle

STEP 8: GLAZING:

- G11 - Clear Acrylic (standard)
- G12 - Clear Tempered Glass

STEP 9: LETTERING:

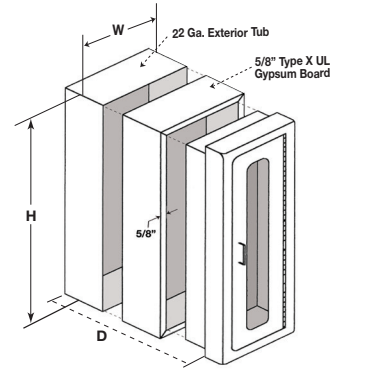
- 004 - Decal "Fire Ext." Vertical R/B

Options

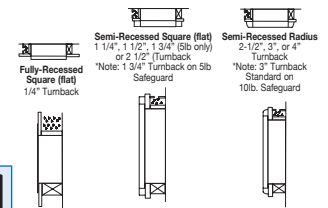


Buy Online

Safeguard fire rated assembly



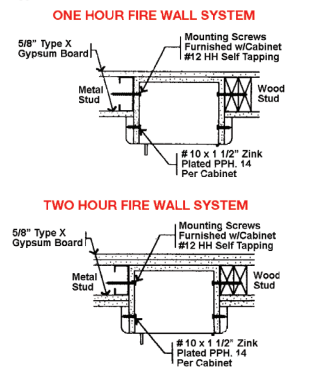
Installation Options:



✓	Mod. #	Interior Tub Size			Overall Outside Trim		WARNOCK HERSEY LISTED SAFEGUARD Rough Opening			SAFEGUARD Turnback		Accom. Ext Size	Lbs.	ADA
		W	H	D	W	H	W	H	D	W	H			
Semi-Recessed														
	516-TN-SG	8"	17"	5"	10 3/4"	19 3/4"	10"	19"	4 1/2"	1 3/4"	5	✓		
	517-TN-SG	8"	17"	5"	10 3/4"	19 3/4"	10"	19"	4 1/2"	1 3/4"	5	✓		
	518-TN-SG	8"	17"	5"	10 3/4"	19 3/4"	10"	19"	4 1/2"	1 3/4"	5	✓		
	116-TN-SG	9 1/2"	24"	6"	13 1/2"	28 1/2"	11 1/4"	25 3/4"	4 1/2"	3"	10	*		
	117-TN-SG	9 1/2"	24"	6"	13 1/2"	28 1/2"	11 1/4"	25 3/4"	4 1/2"	3"	10	*		
	118-TN-SG	9 1/2"	24"	6"	13 1/2"	28 1/2"	11 1/4"	25 3/4"	4 1/2"	3"	10	*		
	216-TN-SG	12"	27"	8"	16"	31"	14"	29"	5"	4"	20	*		
	217-TN-SG	12"	27"	8"	16"	31"	14"	29"	5"	4"	20	*		
	218-TN-SG	12"	27"	8"	16"	31"	14"	29"	5"	4"	20	*		
Fully-Recessed														
	526-TN-SG	8"	17"	5"	12"	21"	10"	19"	6"	1/4"	5	✓		
	527-TN-SG	8"	17"	5"	12"	21"	10"	19"	6"	1/4"	5	✓		
	528-TN-SG	8"	17"	5"	12"	21"	10"	19"	6"	1/4"	5	✓		
	126-TN-SG	9 1/2"	24"	6"	13 1/2"	28 1/2"	11 1/2"	25 3/4"	6 3/4"	1/4"	10	✓		
	127-TN-SG	9 1/2"	24"	6"	13 1/2"	28 1/2"	11 1/2"	25 3/4"	6 3/4"	1/4"	10	✓		
	128-TN-SG	9 1/2"	24"	6"	13 1/2"	28 1/2"	11 1/2"	25 3/4"	6 3/4"	1/4"	10	✓		
	226-TN-SG	12"	27"	8"	16"	31"	14"	29 1/8"	8 3/4"	1/4"	20	✓		
	227-TN-SG	12"	27"	8"	16"	31"	14"	29 1/8"	8 3/4"	1/4"	20	✓		
	228-TN-SG	12"	27"	8"	16"	31"	14"	29 1/8"	8 3/4"	1/4"	20	✓		

*ADA Recessed Handle required ✓ADA Compliant

SAFEGUARD Typical Semi-Recessed Fire Rated Installation



UL Classified 5/8" Type X gypsum board inserted in the LISTED cavity between the two layers. Warnock Hersey has approved the Safeguard Cabinets to be mounted in any face of fire rated steel or wood stud for up to 2 hour rated walls without affecting its fire rating. The above meets the requirement test ASTM-E119-98 with test report WHI-495-1534. MOUNTING INSTRUCTIONS are supplied with each Safeguard cabinet.

